

## Crane specification

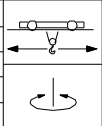
 Serial number 

 Year of construction 

 Crane group : A3 as per FEM 1.001  
 Loadspectrum : Q1 as per FEM 1.001  
 Classification : U4 as per FEM 1.001  
 Stability : as per FEM 1.001

**Max. load**  
  
**9,0 tonne**
**Max.radius**  
with max. load  
  
**13 m**
**Max. capacity**  
  
**117 tm**
**Max. jib length**  
  
**50 m**
**Speeds**      Jib horizontal / jib 30° luffed


m/min	kg
20	9000
32	4500
50	2250
75	0


 0 - 70 m/min  
  
 0 - 0,9 rpm

 All motions with hydraulic proportional controls  
 Luffing the jib 30° can be controlled from crane cab or via remote control  
 The crane should be folded in at a wind force of 9 on the Beaufort scale (wind speed 21 m/min) or when not in use for a longer period

 Crane equipped with full counterweight: 11300 kg  
 360° continuous slewing : with outriggers out and down  
 Operating temperature : range from -15° to 40° C.

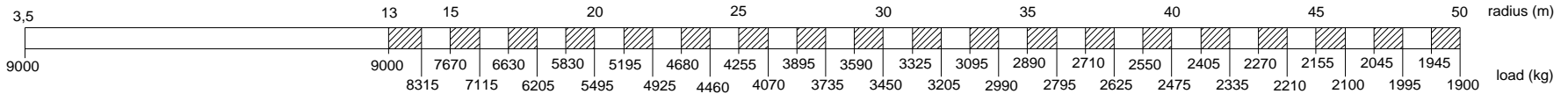
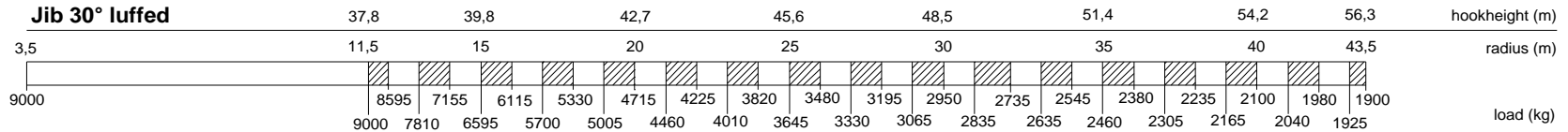
 Rated lifting capacity is net capacity  
 In all cases 2 parts of line  
 Max. line pull force : 4500 kg  
 Sail area of the load : max. 1,0 m<sup>2</sup> / tonne  
 Max. outrigger loading: 440 kN

**Outrigger position : 7,50 x 7,66 m**  
 Operation allowed up to a wind force of 7 on the Beaufort scale (wind speed 14 m/sec)  
  
**Outrigger position : 7,50 x 5,72 m**  
 Operation allowed up to a wind force of 7 on the Beaufort scale (wind speed 14 m/sec)

### Lifting chart      Outrigger spread 7,50 m x 7,66 m

**Jib horizontal**

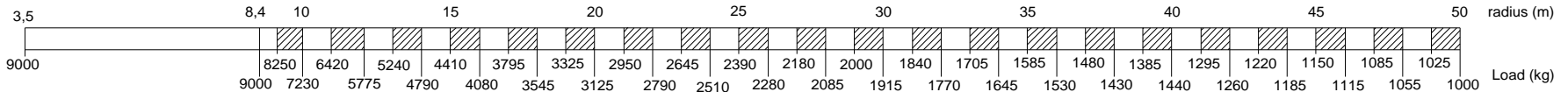
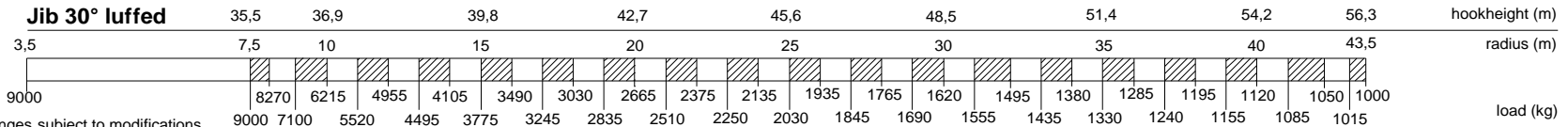
Hookheight 23,8 / 32,6 m (height under jib 25,8 / 34,6 m)

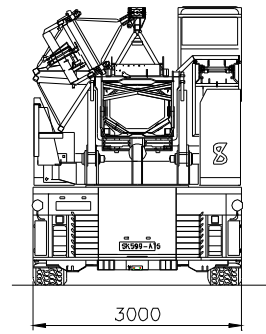
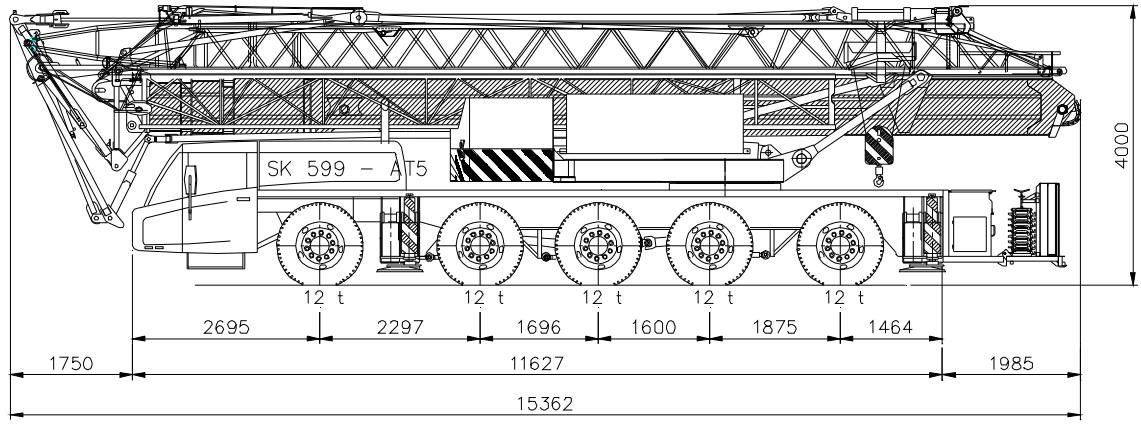
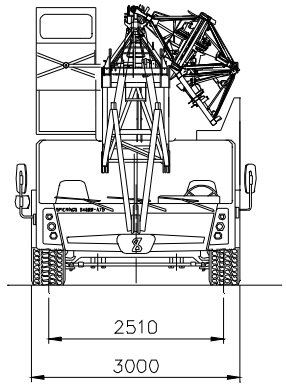
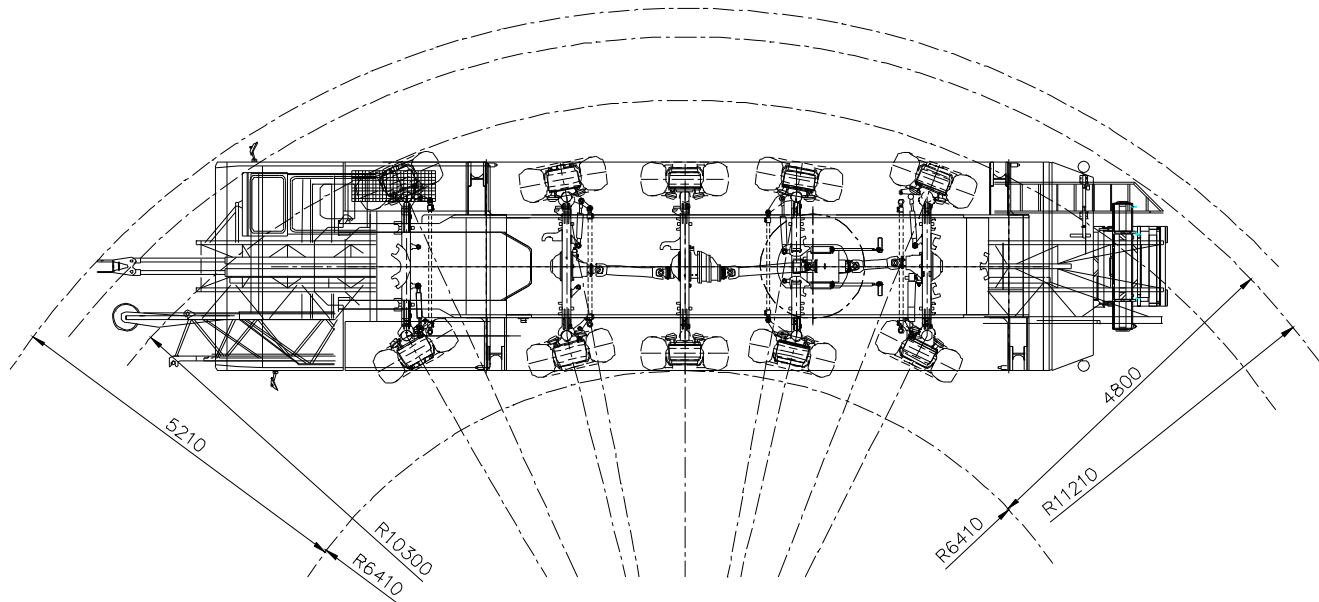

**Jib 30° luffed**


### Lifting chart      Outrigger spread 7,50 m x 5,72 m

**Jib horizontal**

Hookheight 23,8 / 32,6 m (height under jib 25,8 / 34,6 m)


**Jib 30° luffed**




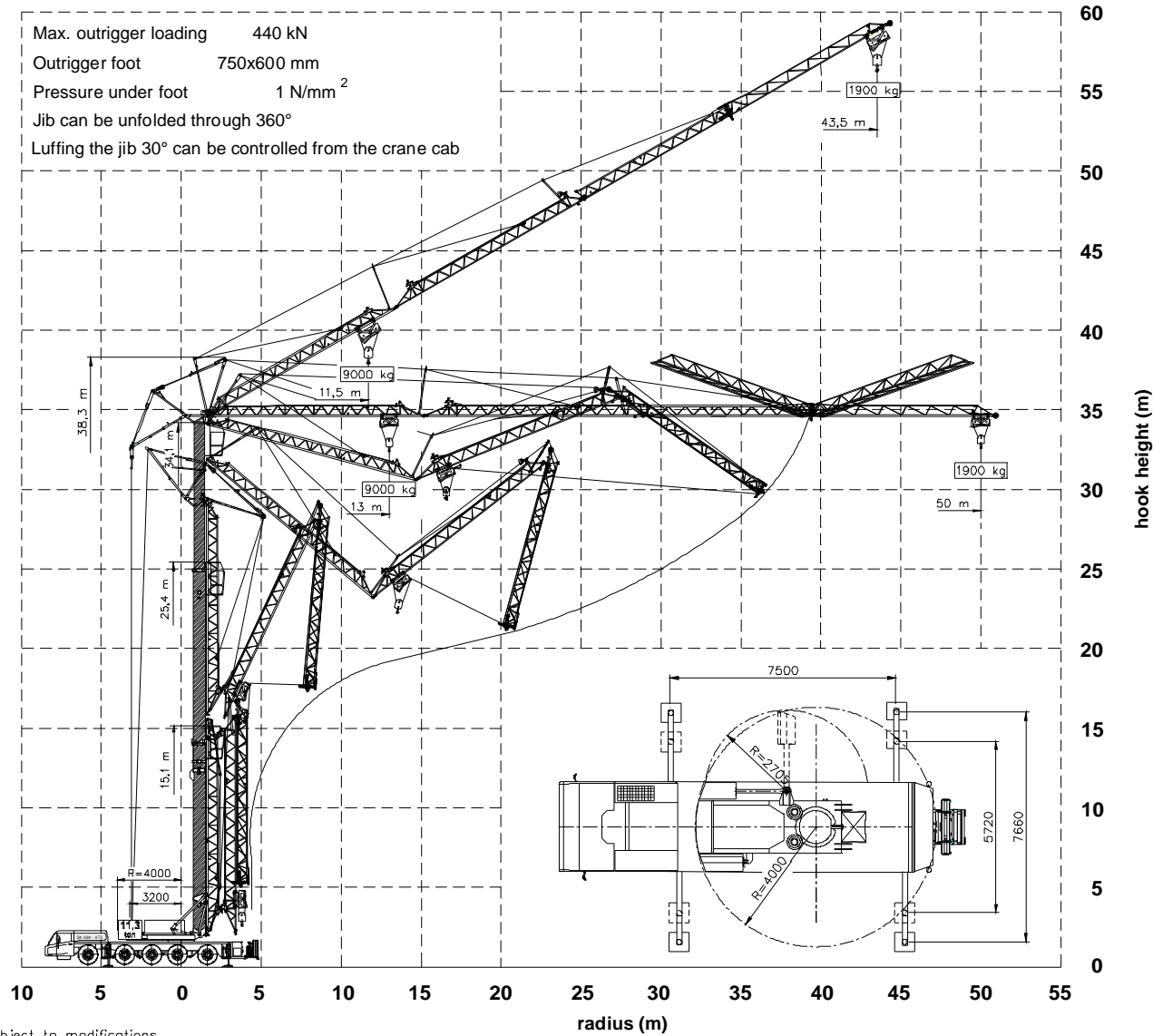
# Spierings Hydraulic Folding Crane SK 599 - AT5

Total weight: 60000 kg  
changes subject to modifications

 SPIERINGS  
KRANEN  
Merwedestraat 15  
5347 KZ Oss NL  
Tel. +31 (0)412-626964  
Fax +31 (0)412-645299

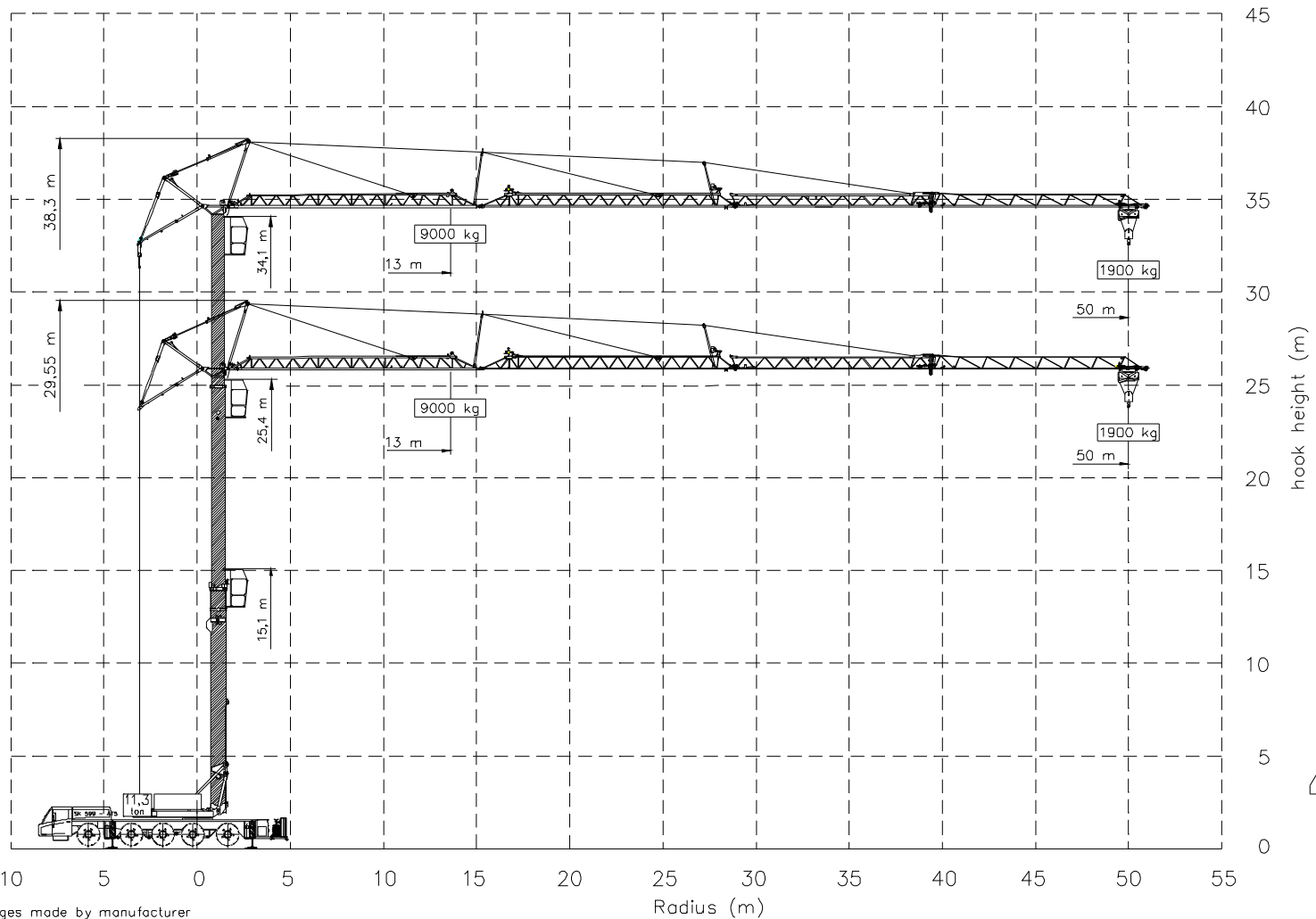
Max. outrigger loading 440 kN  
 Outrigger foot 750x600 mm  
 Pressure under foot 1 N/mm<sup>2</sup>  
 Jib can be unfolded through 360°  
 Luffing the jib 30° can be controlled from the crane cab

# SPIERINGS HYDRAULIC FOLDING CRANE SK599-AT5



Merwedestraat 15  
 5347 KZ Oss NL  
 Tel. +31 (0)412-626964  
 Fax +31 (0)412-645299

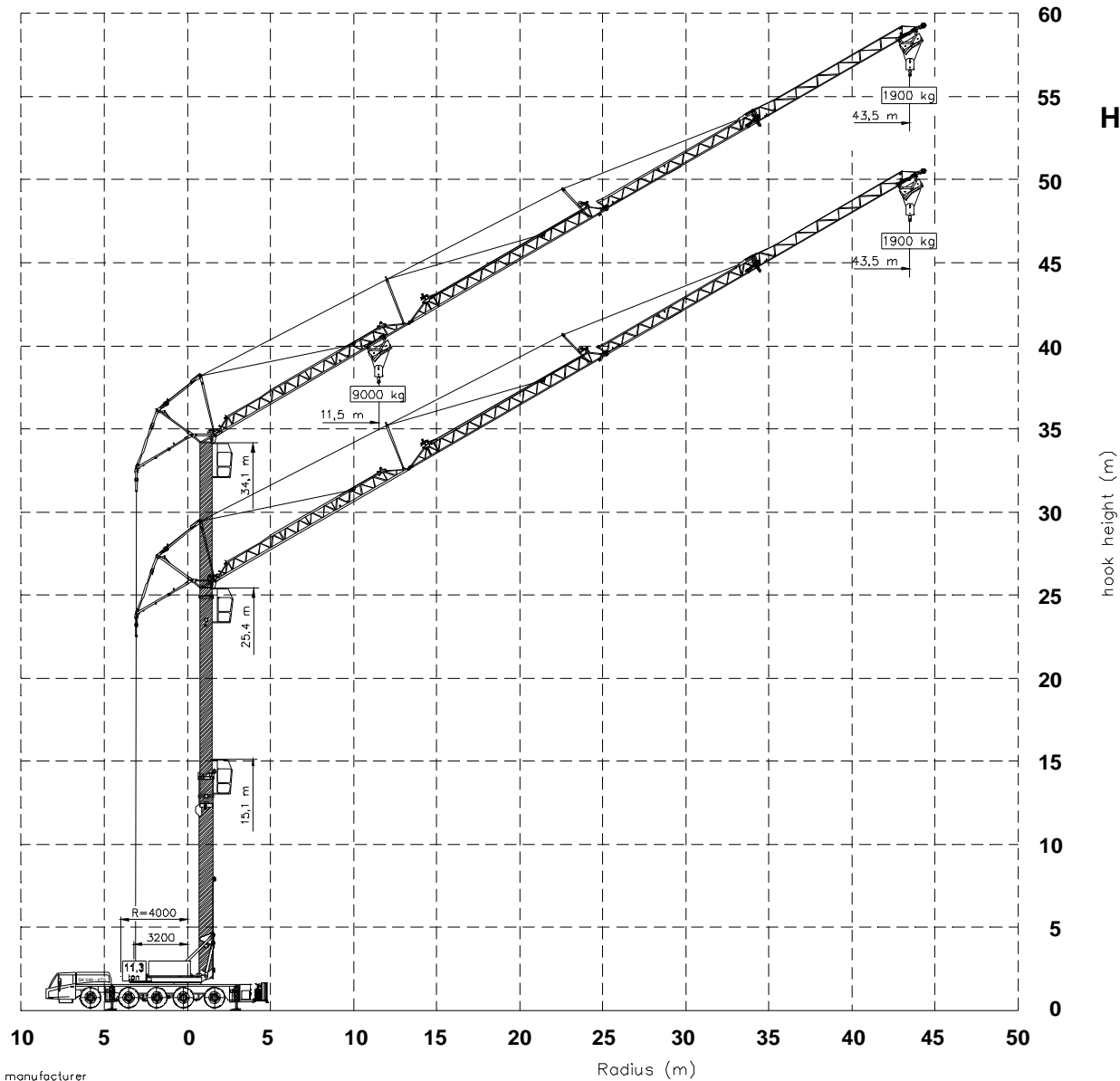
# SPIERINGS HYDRAULIC FOLDING CRANE SK599 – AT5



 **SPIERINGS  
KRANEN**

Merwedestraat 15  
5347 KZ Oss NL  
Tel. +31 (0)412-626964  
Fax +31 (0)412-645299

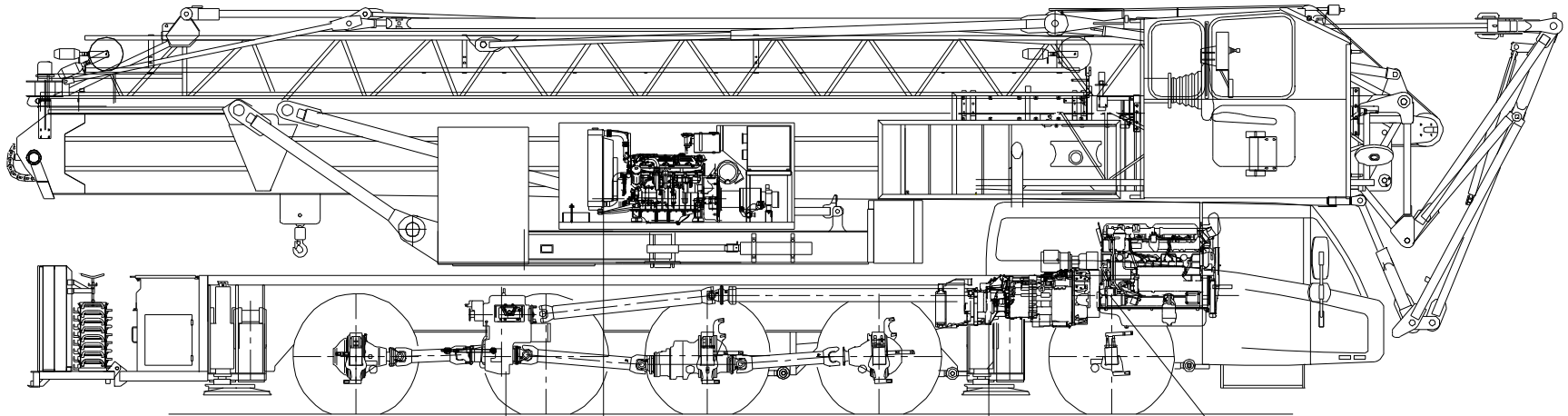
# SPIERINGS HYDRAULIC FOLDING CRANE SK599-AT5



changes made by manufacturer

**SPIERINGS  
KRANEN**

Merwedestraat 15  
5347 KZ Oss NL  
Tel. +31 (0)412-626964  
Fax +31 (0)412-645299



Axle 5

Axle 4

Axle 3

Axle 2

Axle 1

Transfer box:  
STEYR VG2001/396  
Road gear  $i=0,89$   
Off road gear  $i=1,54$

Crane diesel engine:  
DETROIT VM D706 IE2  
Power: 96 kW (2600 rpm)  
Torque: 480 Nm (1300 rpm)

Gearbox:  
ZF 16AS2601  
Automatic  
Dry plate clutch  
+ retarder

Carrier diesel engine:  
DAF XE 390 C (EURO 3)  
Power: 390 kW (1900 rpm)  
Torque: 2300 Nm (1500 rpm)

Axle 1 : Steer axle

Axle 2 : Steer drive axle (end reduction  $i=6,35$ )

Axle 3 : Drive axle , non steered (end reduction  $i=6,35$ )

Axle 4 : Steer axle

Axle 5 : Steer drive axle (end reduction  $i=6,35$ )

Tyres

Suspension: hydro-pneumatic on all axles; stroke cyl.

Max. speed carrier

Min. speed carrier (engine at 1000 rpm)

Overall weight

: 445/75 R22,5

: 247 mm

: 85 km/h

: 1,6 km/h

: 60.000 kg.

## Drive train Spierings Folding Crane SK 599 - AT5