



**SPIERINGS  
CRANES**

**Make: SPIERINGS**

**Type: SK1265-AT6**

**Crane specification (Jib length 60 m)**

Serial number

Crane group : A3 as per FEM 1.001

Max. load

Max. radius  
with max. load

Max. capacity

Max. jib length

Year of construction

Loadspectrum : Q1 as per FEM 1.001

Classification : U4 as per FEM 1.001

Stability : as per FEM 1.001

**10,0 tonne**

**13,2 m**

**132 tm**

**60 m**

**Speeds** Jib horizontal / jib 30° luffed

All motions with hydraulic proportional controls

Crane equipped with full counterweight:

Rated lifting capacity is net capacity

**Outrigger position : 7,95 x 7,66 m**

Luffing the jib 30° can be controlled from crane cab or via remote control

14300 kg

Max. line pull force : 2500 kg

Operation allowed up to a wind force of 6 on the Beaufort scale (wind speed 14m/sec)

The crane should be folded in at a wind force > 8 on the Beaufort scale (wind speed 20 m/min)

360° continuous slewing : with outriggers out and down

2 parts of line : 5000 kg - 1700 kg

**Outrigger position : 7,95 x 5,72 m**

Operating temperature : range from -15° to 40° C.

4 parts of line : 10000 kg - 5000 kg

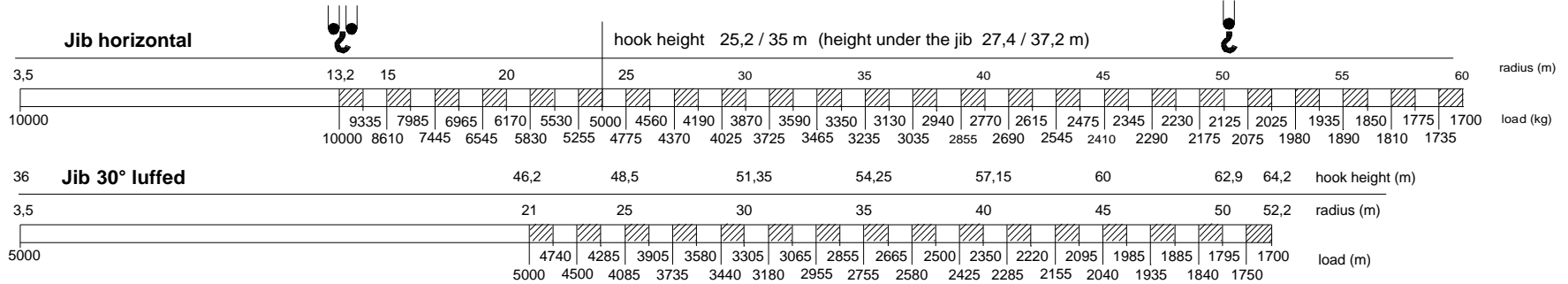
Operation allowed up to a wind force of 6 on the beaufort scale (wind speed 14 m/sec)

Sail area of the load : max. 1,0 m<sup>2</sup> / tonne  
Max. outrigger loading: 520 kN

	m/min	kg		0 - 70 m/min
	15	10000		
	30	5000		
	45	2500		
	75	0		
				0-0,7 r/min

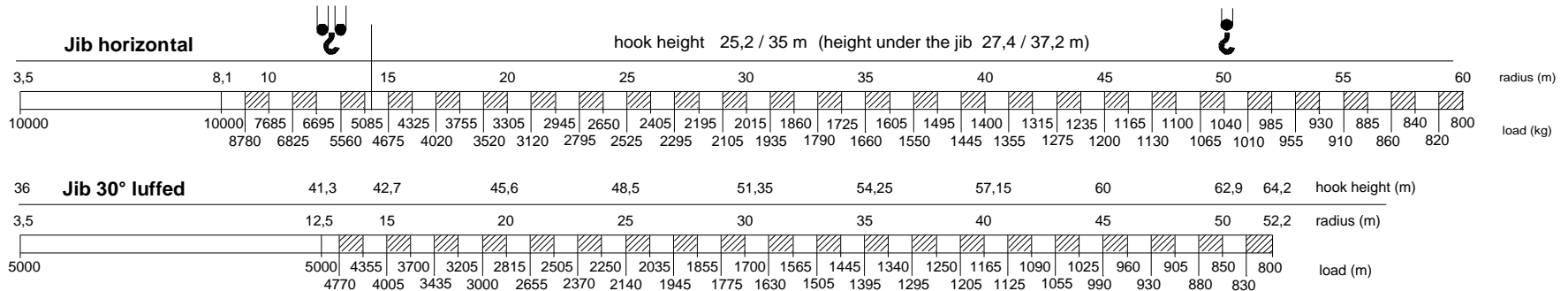
**Lifting chart**

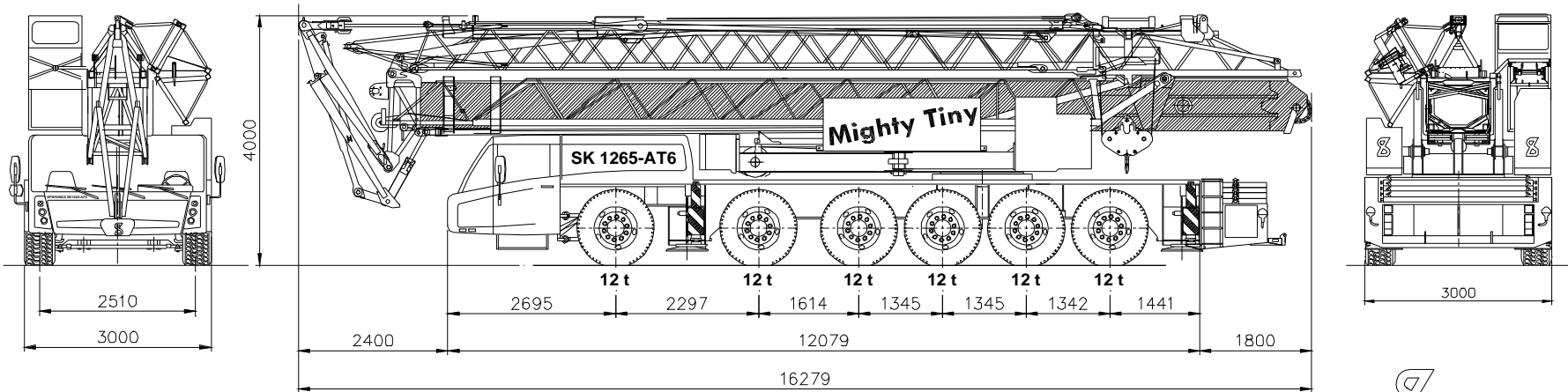
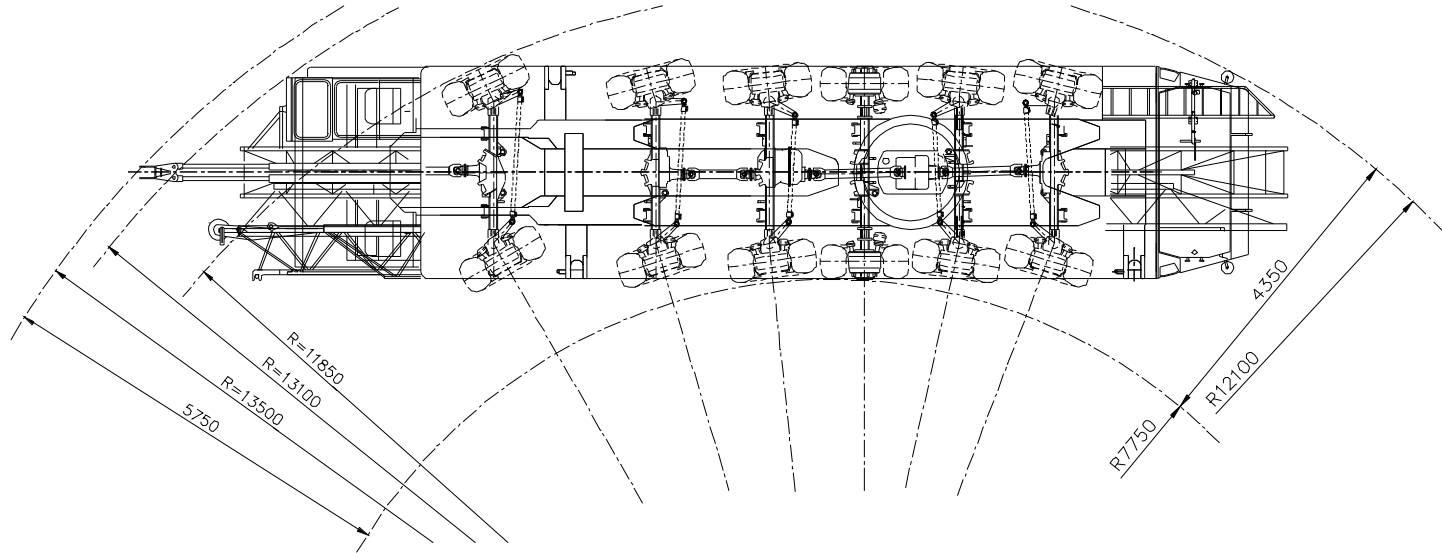
**Outrigger spread : 7,95 m x 7,66 m (up to wind force 6 on the beaufort scale)**



**Lifting chart**

**Outrigger spread : 7,95 m x 5,72 m (up to wind force 6 on the beaufort scale)**





# SPIERINGS HYDRAULIC FOLDING CRANE

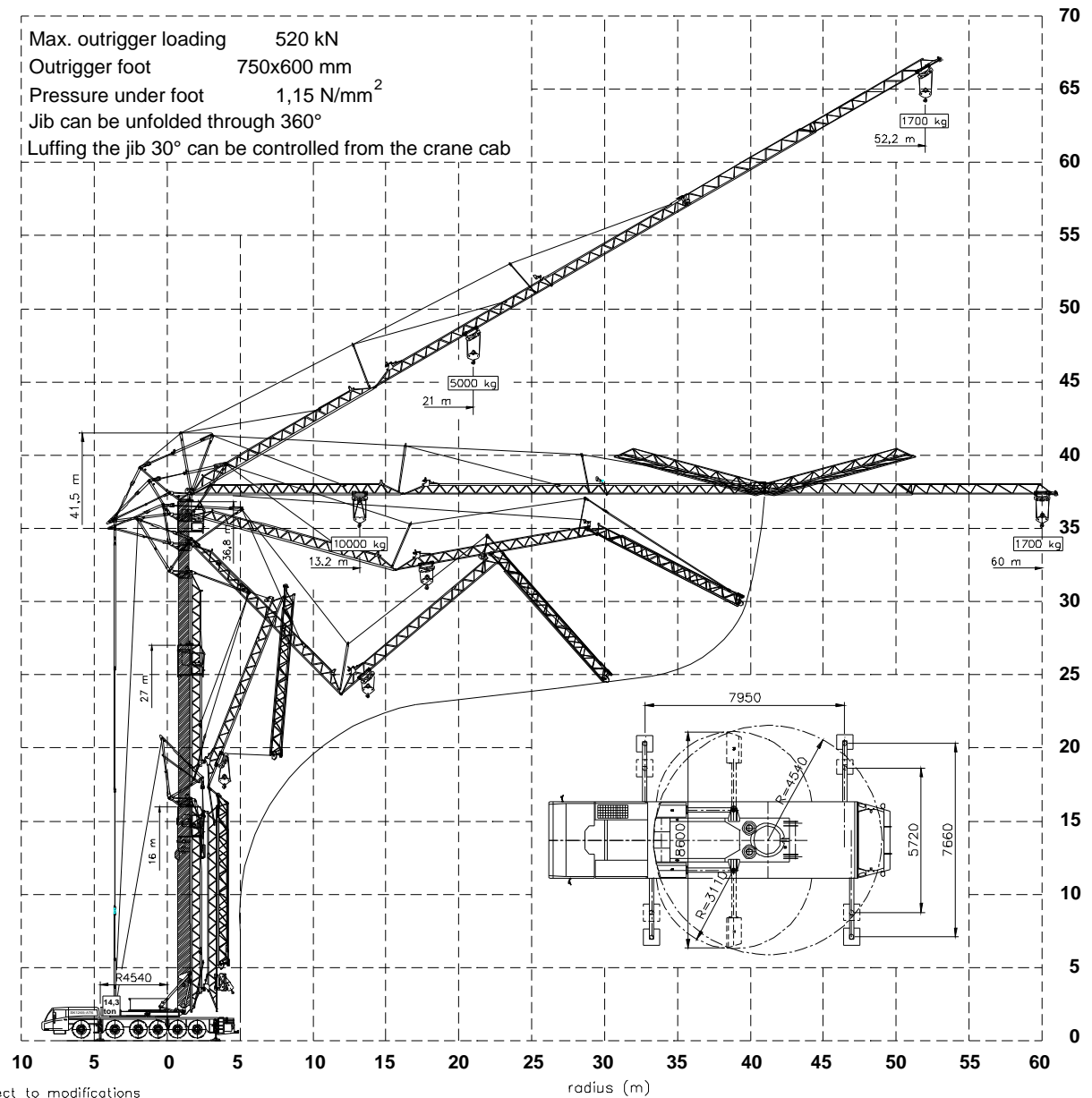
## SK 1265 - AT6


**SPIERINGS  
KRANEN**  
 Merwedestraat 15  
 5347 KZ Oss NL  
 Tel. +31 (0)412-626964  
 Fax +31 (0)412-645299

Total weight: 72000 kg  
 Changes subject to modifications

Max. outrigger loading 520 kN  
 Outrigger foot 750x600 mm  
 Pressure under foot 1,15 N/mm<sup>2</sup>  
 Jib can be unfolded through 360°  
 Luffing the jib 30° can be controlled from the crane cab

# SPIERINGS HYDRAULIC FOLDING CRANE SK1265-AT6



hook height (m)

radius (m)

Changes subject to modifications

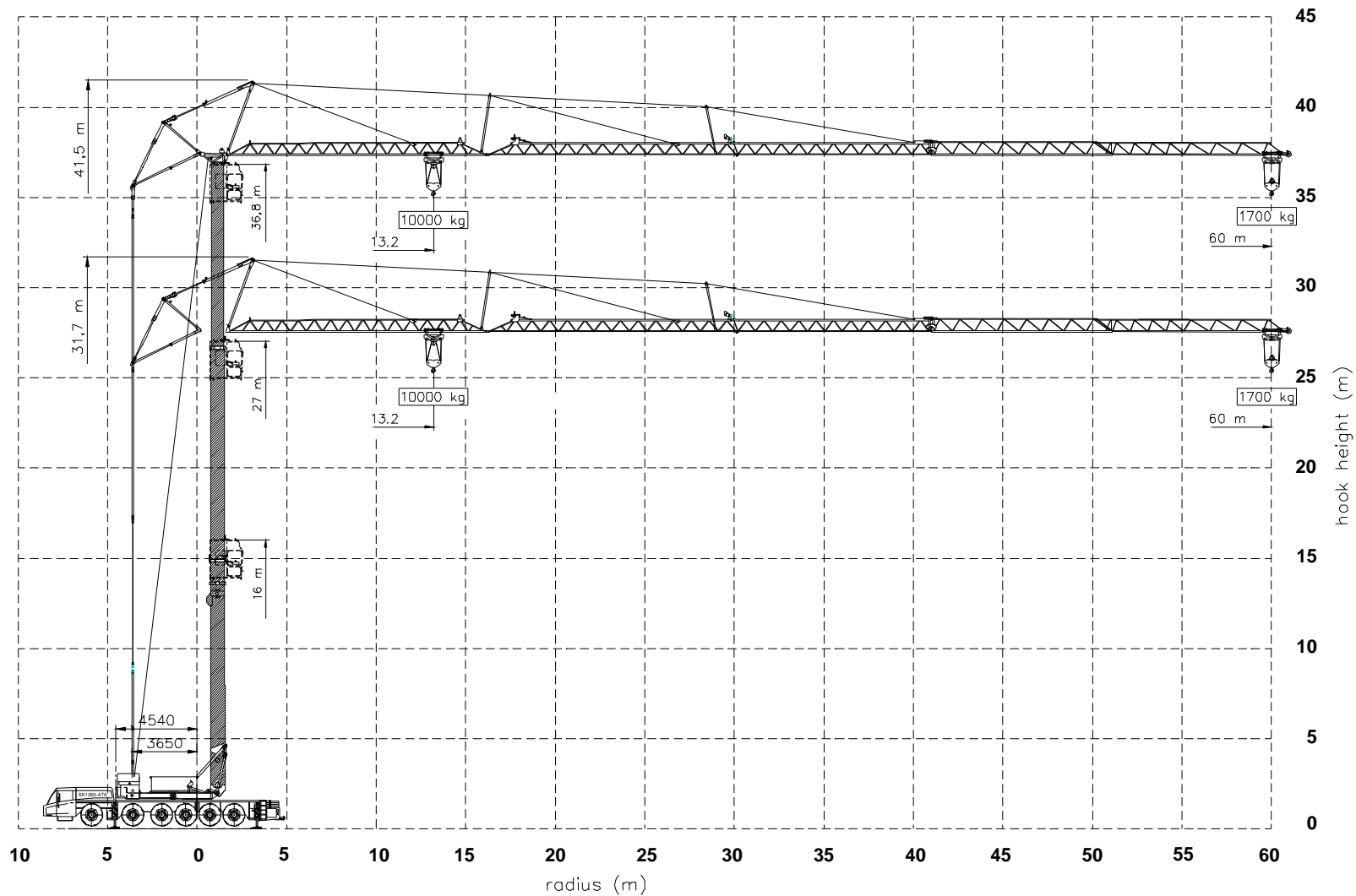


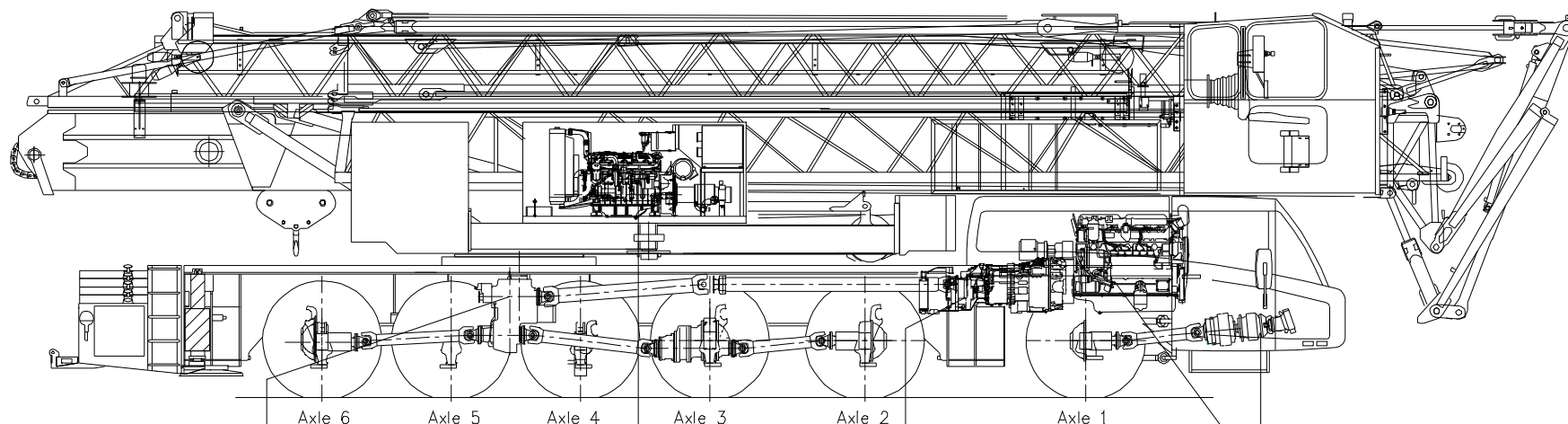
Merwedestraat 15  
 5347 KZ Oss NL  
 Tel. +31 (0)412-626964  
 Fax +31 (0)412-645299

# SPIERINGS

## HYDRAULIC FOLDING CRANE

### SK1265-AT6





Transfer box:  
STEYR VG2001/396

Road gear  $i=0,89$

Off road gear  $i=1,54$

Crane diesel engine:

DETROIT VM D706 IE2

Power: 96 kW (2600 tpm)

Torque: 480 Nm (1300 tpm)

Gearbox:

ZF 16AS2601

Automatic

Dry plate clutch

+ intarder

Carrier diesel engine:

DAF XE 390C

Power: 390 kW (1900 tpm)

Torque: 2300 Nm (1500 tpm)

Hydraulic powered front axle

Bosch Rexroth hydro-motor A6VM

BREVINI planetary reduction gearbox

ED 2090 FE / 14,3

Max. speed 12 km/u

Axle 1 : Steer axle, hydraulic driven (end reduction  $i=6,38$ )

Axle 2 : Steer drive axle (end reduction  $i=6,35$ )

Axle 3 : Steer drive axle (end reduction  $i=6,35$ )

Axle 4 : Axle , non steered and non powered

Axle 5 : Steer axle

Axle 6 : Steer drive axle (end reduction  $i=6,35$ )

Tyres

Suspension: hydro-pneumatic on all axles; stroke cyl.

Max. speed carrier

Min. speed carrier (engine at 1000 rpm)

Overall weight

: 445/75 R22,5

: 247 mm

: 85 km/uur

: 1,6 km/uur

: 60.000 kg.

## Drive train Spierings Folding Crane SK 1265-AT6